

Container Types Overview

By the wide range of different standard and special container types we are able to offer the suitable container for every product.

Details on the dimensions and loading of the containers are given on the page below.

Note:

The given data are merely base data. There might be differences depending on the carrier.

Standard Container 20' 40' 40' High-Cube Version

Suitable for any general cargo. Various lashing devices on the top and bottom longitudinal rails and cornerpost.

Hardtop Container 20' 40' 40' High-Cube Version

Equipped with a removable steelroof. Especially for heavy loads and overheight cargo. Loading through roof opening and doorway by swung out doorheader.

Open-Top Container 20' 40'

With removable tarpaulin. Especially for overheight cargo. Loading either from top side or door side by swung out doorheader.

Flat Rack 20' 40' 40' High-Cube Version

Especially for heavy loads and overwidth cargo.

Platform 20' 40'

Especially for heavy loads and oversized cargo. Non domestic shipments.

Ventilated Container 20'

Especially for cargo which needs ventilation.

Refrigerated Container 20' 40' 40' High-Cube Version

Reefer Container do have their own electrically operated cooling/ heating unit. The power supply is provided by ship's electrical plant, by terminal or by "clip-on" diesel generator.

Insulated Container 20' 40'


These container do not have their own cooling facility. The cooling/ heat is supplied by a onboard Conair plant, by terminal or by a "clip-on" reefer unit.


Tank Container 20'


For the transport of liquid food, e.g.:


- Alcohols
- Fruit juices
- Edible oils
- Food additives.


Kuehne & Nagel offers you, with regard to your requirements a made to measures service. For more details please contact your nearest Kuehne & Nagel office.


Container 20' Standard			Millimeter/mm	Foot/ft
	Internal	Length	5895	19' 4 1/8"
		Width	2350	7' 8 1/2"
		Height	2392	7' 10 1/8"
	Door Opening	Width	2340	7' 8 1/8"
		Height	2292	7' 6 1/4"
			Kilogramm/kg	Lbs/Pound
	Weight	Max. Gross	30480	67200
		Tare	2250	4960
		Max. Payload	28230	62240
			Cubic meter m³	Cubic foot cu.ft
Capacity		33,2	1172	

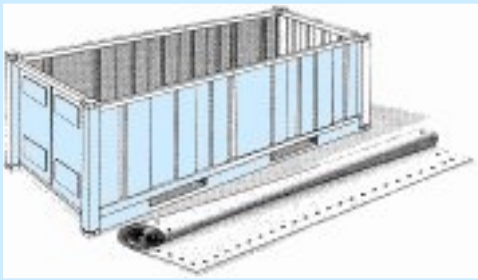
Container 40' Standard			Millimeter/mm	Foot/ft
	Internal	Length	12029	39' 5 1/2"
		Width	2350	7' 8 1/2"
		Height	2392	7' 10 1/8"
	Door Opening	Width	2340	7' 8 1/8"
		Height	2292	7' 6 1/4"
			Kilogramm/kg	Lbs/Pound
	Weight	Max. Gross	30480	67200
		Tare	3780	8330
		Max. Payload	26700	58870
			Cubic meter m³	Cubic foot cu.ft
Capacity		67,7	2390	

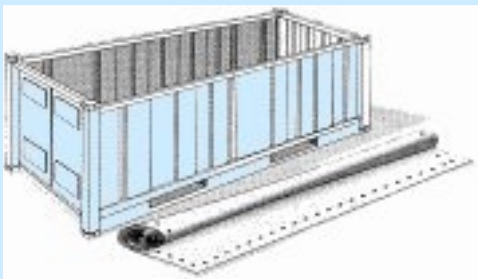
Container 40' Standard High Cube			Millimeter/mm	Foot/ft
	Internal	Length	12024	39' 5 3/8"
		Width	2350	7' 8 1/2"
		Height	2697	8' 10 1/8"
	Door Opening	Width	2338	7' 8"
		Height	2585	8' 5 3/4"
			Kilogramm/kg	Lbs/Pound
	Weight	Max. Gross	30480	67200
		Tare	4020	8860
		Max. Payload	26460	58340
			Cubic meter m³	Cubic foot cu.ft
Capacity		76,3	2694	

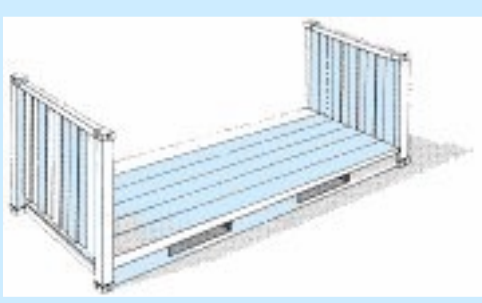
Container 20' Hardtop			Millimeter/mm	Foot/ft
	Internal	Length	5886	19' 3 3/4"
		Width	2342	7' 8 1/8"
		Height	2375	7' 9 1/2"
	Door Opening	Width	2336	7' 8"
		Height	2280	7' 5 3/4"
			Kilogramm/kg	Lbs/Pound
	Weight	Max. Gross	30480	67200
		Tare	2290	5710
		Max. Payload	27890	61490
			Cubic meter m³	Cubic foot cu.ft
Capacity		32,8	1160	

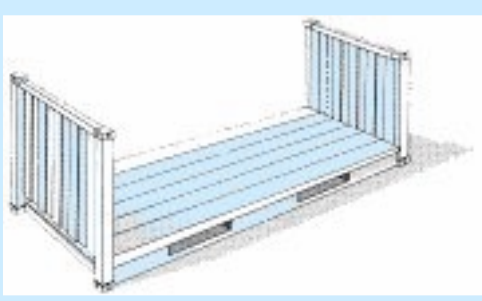
Container 40' Hardtop			Millimeter/mm	Foot/ft
	Internal	Length	12020	39' 5 1/4"
		Width	2342	7' 10"
		Height	2388	7' 10"
	Door Opening	Width	2336	7' 8"
		Height	2292	7' 6 1/4"
			Kilogramm/kg	Lbs/Pound
	Weight	Max. Gross	30480	67200
		Tare	4700	10360
		Max. Payload	25780	56840
			Cubic meter m³	Cubic foot cu.ft
Capacity		67,2	2374	

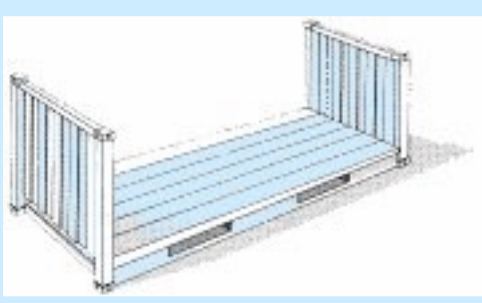
Container 40' Hardtop High Cube			Millimeter/mm	Foot/ft
	Internal	Length	12020	39' 5 1/4"
		Width	2342	7' 8 1/8"
		Height	2693	8' 10"
	Door Opening	Width	2336	7' 8"
		Height	2597	8' 6 1/4"
			Kilogramm/kg	Lbs/Pound
	Weight	Max. Gross	30480	67200
		Tare	4900	10803
		Max. Payload	25580	56394
			Cubic meter m³	Cubic foot cu.ft
Capacity		75,8	2677	

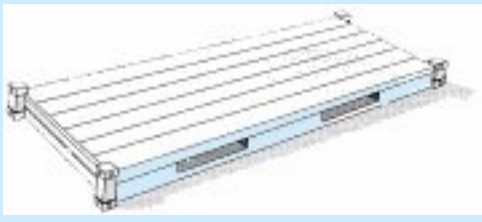
Container 20' Open-Top			Millimeter/mm	Foot/ft
	Internal	Length	5897	19' 4 1/8"
		Width	2350	7' 8 1/2"
		Height	2377	7' 9 1/2"
	Door Opening	Width	2338	7' 8"
		Height	2280	7' 5 3/4"
			Kilogramm/kg	Lbs/Pound
	Weight	Max. Gross	30480	67200
		Tare	2350	5180
		Max. Payload	28130	62020
			Cubic meter m³	Cubic foot cu.ft
Capacity		32,5	1149	

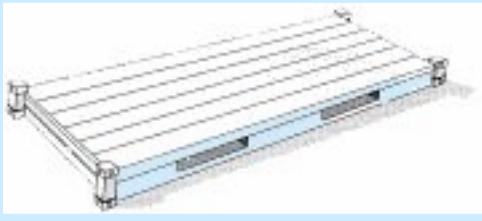
Container 40' Open-Top			Millimeter/mm	Foot/ft
	Internal	Length	12030	39' 5 5/8"
		Width	2350	7' 8 1/2"
		Height	2377	7' 9 1/2"
	Door Opening	Width	2338	7' 8"
		Height	2292	7' 6 1/4"
			Kilogramm/kg	Lbs/Pound
	Weight	Max. Gross	30480	67200
		Tare	3850	8490
		Max. Payload	26630	58708
			Cubic meter m³	Cubic foot cu.ft
Capacity		66,4	2345	

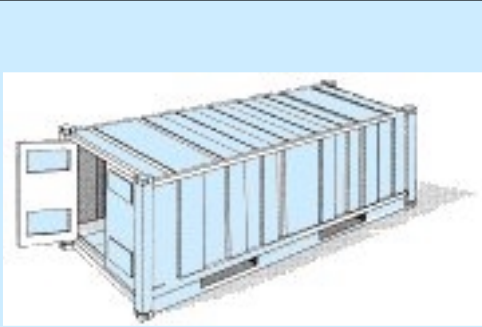
Container 20' Flat Rack		Millimeter/mm	Foot/ft	
	Internal	Length floor	6038	19' 9 3/4"
		Length min.	5612	18' 4 7/8"
		Width floor	2438	8' 0"
		Width min.	2210	7' 2 7/8"
		Height	2213	7' 3 1/8"
		Height bottom	370	1' 2 9/16"
			Kilogramm/kg	Lbs/Pound
Weight	Max. Gross	34000	74956	
	Tare	2740	6040	
	Max. Payload	31260	68910	


Container 40' Flat Rack		Millimeter/mm	Foot/ft	
	Internal	Length floor	12086	39' 7 7/8"
		Length min.	11826	38' 9 5/8"
		Width floor	2224	7' 3 1/2"
		Width min.	2224	7' 3 1/2"
		Height	1981	6' 6"
		Height bottom	610	2'
			Kilogramm/kg	Lbs/Pound
Weight	Max. Gross	30480	67200	
	Tare	4200	9265	
	Max. Payload	26280	57935	


Container 40' Flat Rack High Cube		Millimeter/mm	Foot/ft	
	Internal	Length floor	12060	39' 6 3/4"
		Length min.	11660	38' 3 1/8"
		Width floor	2365	7' 9 1/8"
		Width min.	2200	7' 2 5/8"
		Height	2245	7' 4 3/8"
		Height bottom	648	2' 1 1/2"
			Kilogramm/kg	Lbs/Pound
Weight	Max. Gross	45000	99210	
	Tare	5700	12570	
	Max. Payload	39300	86640	


Container 20' Platform			Millimeter/mm	Foot/ft
	Internal	Length	6058	20'
		Width	2438	8'
		Height bottom	370	1' 2 9/16"
			Kilogramm/kg	Lbs/Pound
	Weight	Max. Gross	30400	74950
		Tare	2740	6040
		Max. Payload	31260	68910


Container 40' Platform			Millimeter/mm	Foot/ft
	Internal	Length	12192	40'
		Width	2438	8'
		Height bottom	648	2' 1 1/2"
			Kilogramm/kg	Lbs/Pound
	Weight	Max. Gross	45500	99210
		Tare	5700	12570
		Max. Payload	39300	86640


Container 20' Ventilated			Millimeter/mm	Foot/ft
	Internal	Length	5895	19' 4 3/32"
		Width	2321	7' 7 3/8"
		Height	2392	7' 10 1/8"
	Door Opening	Width	2340	7' 8 1/8"
		Height	2292	7' 6 1/4"
			Kilogramm/kg	Lbs/Pound
	Weight	Max. Gross	30480	67200
		Tare	2490	5490
		Max. Payload	27990	61710
		Cubic meter m³	Cubic foot cu.ft	
Capacity		33	1167	


Container 20' Refrigerated			Millimeter/mm	Foot/ft
	Internal	Length	5534	18' 1 7/8"
		Width	2316	7' 7 3/10"
		Height	2331	7' 7 3/4"
	Door Opening	Width	2316	7' 7 3/16"
		Height	2290	7' 6 3/16"
			Kilogramm/kg	Lbs/Pound
	Weight	Max. Gross	30480	67200
		Tare	3030	6680
		Max. Payload	27450	60520
			Cubic meter m³	Cubic foot cu.ft
Capacity		29,9	1056	

Container 40' Refrigerated High Cube			Millimeter/mm	Foot/ft
	Internal	Length	11583	38'
		Width	2286	7' 6"
		Height	2532	8' 3 5/8"
	Door Opening	Width	2294	7' 6 1/4"
		Height	2550	8' 4 3/8"
			Kilogramm/kg	Lbs/Pound
	Weight	Max. Gross	34000	74950
		Tare	4120	9080
		Max. Payload	29880	65870
			Cubic meter m³	Cubic foot cu.ft
Capacity		67,0	2366	

Container 40' Refrigerated			Millimeter/mm	Foot/ft
	Internal	Length	11563	37' 11 1/4"
		Width	2294	7' 6 1/4"
		Height	2261	7' 5"
	Door Opening	Width	2288	7' 6"
		Height	2188	7' 2 1/8"
			Kilogramm/kg	Lbs/Pound
	Weight	Max. Gross	30480	74950
		Tare	4600	10140
		Max. Payload	29400	64820
			Cubic meter m³	Cubic foot cu.ft
Capacity		60	2120	

Container 20' Insulated		Millimeter/mm	Foot/ft	
	Internal	Length	5724	18' 9 3/8"
		Width	2286	7' 6"
		Height	2014	6' 7 1/4"
	Door Opening	Width	2286	7' 6"
		Height	2067	6' 9 3/8"
			Kilogramm/kg	Lbs/Pound
	Weight	Max. Gross	24000	52910
		Tare	2550	5620
		Max. Payload	21450	47290
			Cubic meter m³	Cubic foot cu.ft
Capacity		26,4	933	

Container 40' Insulated		Millimeter/mm	Foot/ft	
	Internal	Length	11840	38' 10 1/8"
		Width	2286	7' 6"
		Height	2120	6' 11 1/2"
	Door Opening	Width	2286	7' 6"
		Height	2195	7' 2 3/8"
			Kilogramm/kg	Lbs/Pound
	Weight	Max. Gross	30480	67200
		Tare	3850	8490
		Max. Payload	26630	58710
			Cubic meter m³	Cubic foot cu.ft
Capacity		60,6	2140	

Container 20' Tank		Kilogramm/kg	Lbs/Pound
	Volume	27321	60260
			Liter/Litre Water
	Capacity	24000	